

SPECIFICATION

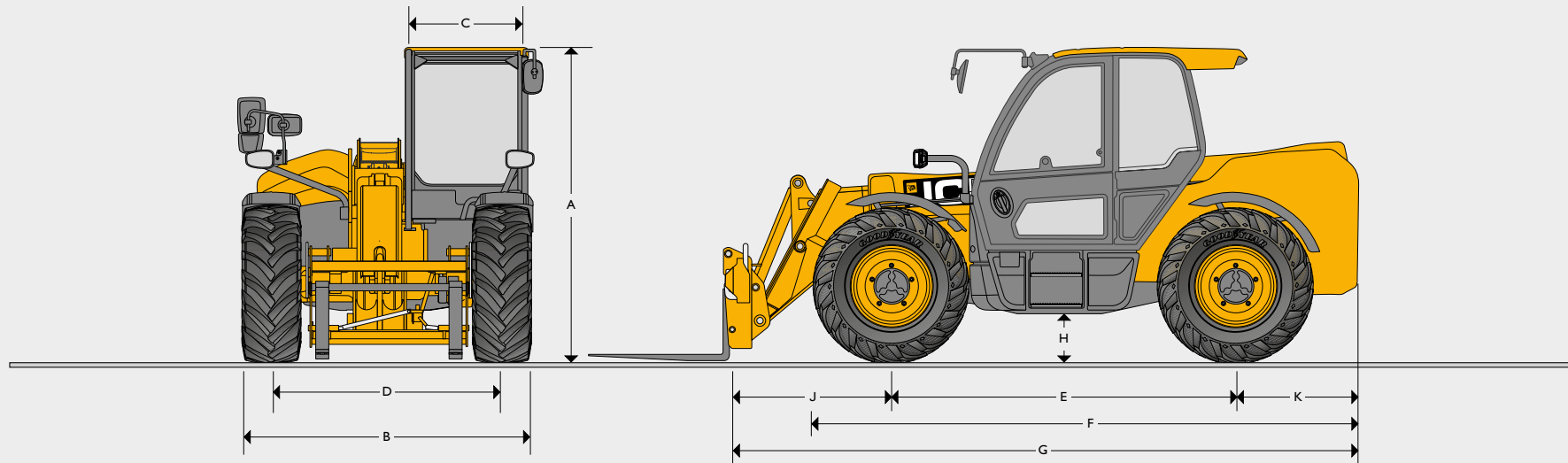


INDUSTRY & WASTEMASTER LOADALL | 525-60/532-70/536-95/542-70/560-80

Gross Power: 55kW (74hp) - 112kW (150hp) | Lift Capacity: 2,500kg - 6,000kg | Lift Height: 6.0m - 7.9m



STATIC DIMENSIONS



STATIC DIMENSIONS

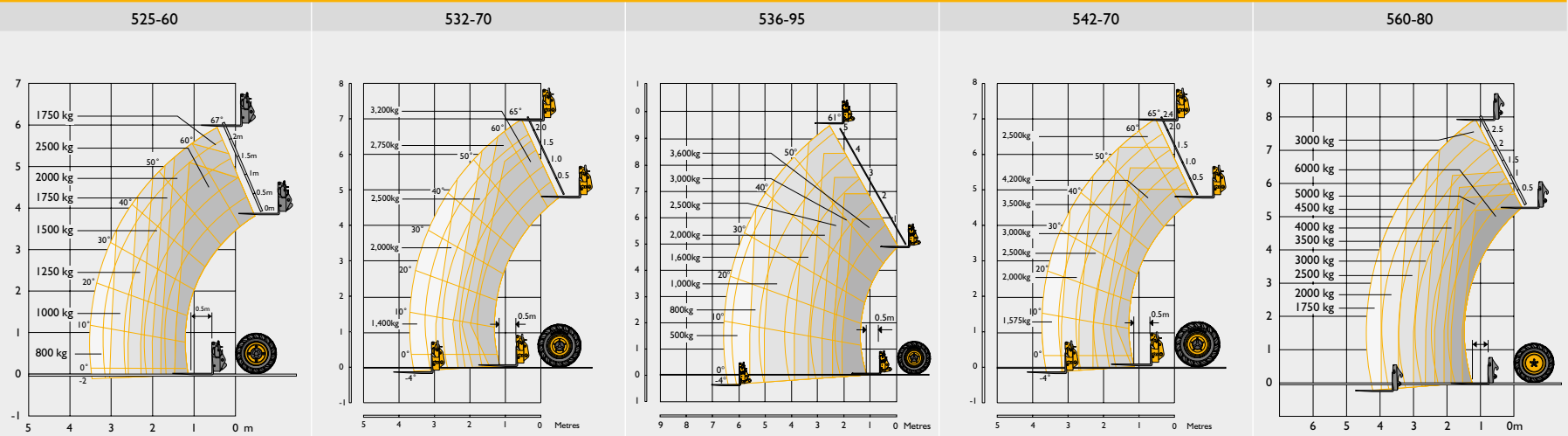
		525-60	532-70	536-95	542-70	560-80	
A	Overall height	m	1.97	2.49	2.49	2.67	
B	Overall width (over tyres)*	m	1.84	2.34	2.34	2.49	
C	Inside width of cab	m	0.88	0.97	0.97	0.97	
D	Front track	m	1.52	1.81	1.87	1.99	
E	Wheelbase	m	2.39	2.75	2.75	2.75	
F	Overall length to front of tyres	m	3.48	4.38	4.38	4.38	4.55
G	Overall length to front of carriage	m	4	4.99	4.99	4.99	5.28
H	Ground clearance	m	0.33	0.4	0.37	0.4	0.43
J	Front wheel centre to carriage	m	1.02	1.23	1.21	1.23	1.23
K	Rear wheel centre to rear face	m	0.6	1.01	1.03	1.01	1.01
	Turn radius (over tyres)	m	3.4	3.7	3.7	3.7	4.1
	Carriage rollback angle (for shovel in carry position degrees)	degrees	11	42.6	41	42.6	43
	Carriage dump angle (for shovel at full height degrees)	degrees	24	37.5	24	37.5	43.5
	Weight (IndustryPlus)	kg	5840	7600	N/A	8300	10775
	Weight (IndustryPro, Wastemaster)	kg	N/A	N/A	N/A	8520	11790
	Tyres		12.5/80x18	460/70 R24	460/70 R24	460/70 R24	480/80 R26

Machine shown with roof mounted air conditioning fitted.

* Dependant upon tyre specified.

INDUSTRYPLUS

LIFT PERFORMANCE



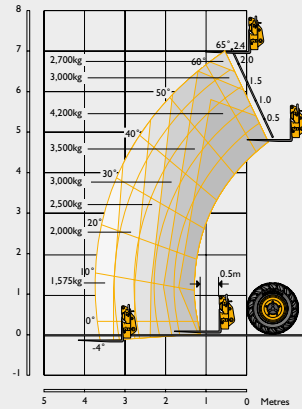
Maximum lift capacity	kg	2500	3200	3600	4200	6000
Lift capacity to full height	kg	1750	2750	1600	2500	3000
Lift capacity at full reach	kg	800	1400	500	1575	1750
Lift height	m	6	7.01	9.49	7.01	7.90
Reach at maximum lift height	m	-0.25	0.48	2.43	0.48	0.92
Maximum forward reach	m	3.3	3.72	6.55	3.73	4.48
Reach with 1 tonne load	m	3	3.72	4.98	3.73	4.48
Placing height	m	5.3	6.30	8.78	6.30	7.64

Complies with stability test: ISO 2291514:2010

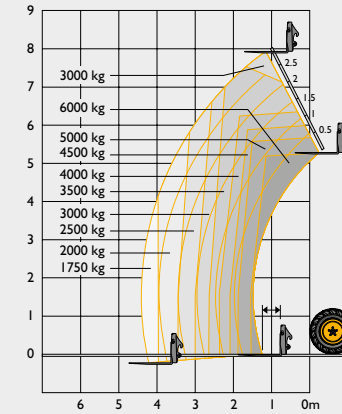
INDUSTRYPRO WASTEMASTER

LIFT PERFORMANCE

542-70



560-80



Maximum lift capacity	kg	4200	6000
Lift capacity to full height	kg	2750	3000
Lift capacity at full reach	kg	1675	1750
Lift height	m	7.01	7.90
Reach at maximum lift height	m	0.48	0.92
Maximum forward reach	m	3.73	4.48
Reach with 1 tonne load	m	3.73	4.48
Placing height	m	6.30	6.64

Complies with stability test: ISO 2291514:2010

ENGINE		525-60	532-70	536-95	542-70	560-80
Manufacturer		KOHLER	JCB	JCB	JCB	JCB
Emissions level		Stage V	Stage V	Stage V	Stage V	Stage V
Model		JCB DIESEL	DIESELMAX	DIESELMAX	DIESELMAX	DIESELMAX
After treatment		DPF	SCR, DOC & DPF	SCR, DOC & DPF	SCR, DOC & DPF	SCR, DOC & DPF
Aspiration		Turbocharged cooled	Turbocharged cooled	Turbocharged cooled	Turbocharged cooled	Turbocharged cooled
Power Rating						
Power @ 2200rpm	hp (Kw)	55 (74)	109 (81)	109 (81)	109 (81) / 130 (97)	130 (97) / 150 (112)
Torque Rating						
Torque @ 1500rpm	Nm	310	516	516	516 / 550	550 / 600
Specification						
Displacement	ltr	2.5	4.8	4.8	4.8	4.8
No. of cylinders		4	4	4	4	4

TRANSMISSION		525-60	532-70	536-95	542-70		560-80			
		Hydrostatic	Powershift 4	Powershift 4	Powershift 4	DualTech VT	Hydro Variable	Powershift 4	DualTech VT	Hydro Variable
Max Speed	kph	30	33	33	33	40	20	33	40	20
Forward gears		2	4	4	4	4	I	4	4	I
Reverse gears		2	4	4	4	I	I	4	I	I
Drive disconnect		Permanent 4 Wheel Drive	Electric 2/4 Wheel Drive Disconnect	Electric 2/4 Wheel Drive Disconnect	Electric 2/4 Wheel Drive Disconnect	Auto 2/4 Wheel Drive Disconnect	Permanent 4 Wheel Drive	Electric 2/4 Wheel Drive Disconnect	Auto 2/4 Wheel Drive Disconnect	Permanent 4 Wheel Drive
Flexi/variable mode		STD	N/A	N/A	N/A	STD	STD	N/A	STD	STD
Axles		JCB MaxTrac	JCB MaxTrac	JCB MaxTrac	JCB MaxTrac	JCB MaxTrac	JCB MaxTrac	JCB MaxTrac	JCB MaxTrac	JCB MaxTrac

HYDRAULICS		525-60	532-70	536-95	542-70	560-80
Operating system pressure	bar	260	250	240	260	260
Main hydraulics	l/min	90	140	140	140	140
Pump		Variable displacement				
Hydraulic cycle times						
Lift	seconds	5.7	4.5	5.6	5.2	7.4
Lower	seconds	5.5	6.6	6.3	5.7	7.9
Extend	seconds	5.5	6.7	9.4	6.6	8.1
Retract	seconds	3.3	5	10	5	7.1
Bucket dump	seconds	1.9	2.7	1.9	2.8	2.6
Bucket crowd	seconds	2.2	2.3	2.5	2.2	2.8

SERVICE CAPACITIES		525-60	532-70, 536-95, 542-70, 560-80
Fuel tank	litres	65	169
DEF tank	litres	N/A	20
Screenwash tank	litres	4	6
Hydraulic tank	litres	75	113
Coolant tank	litres	11	28
Engine oil sump	litres	7.5	14

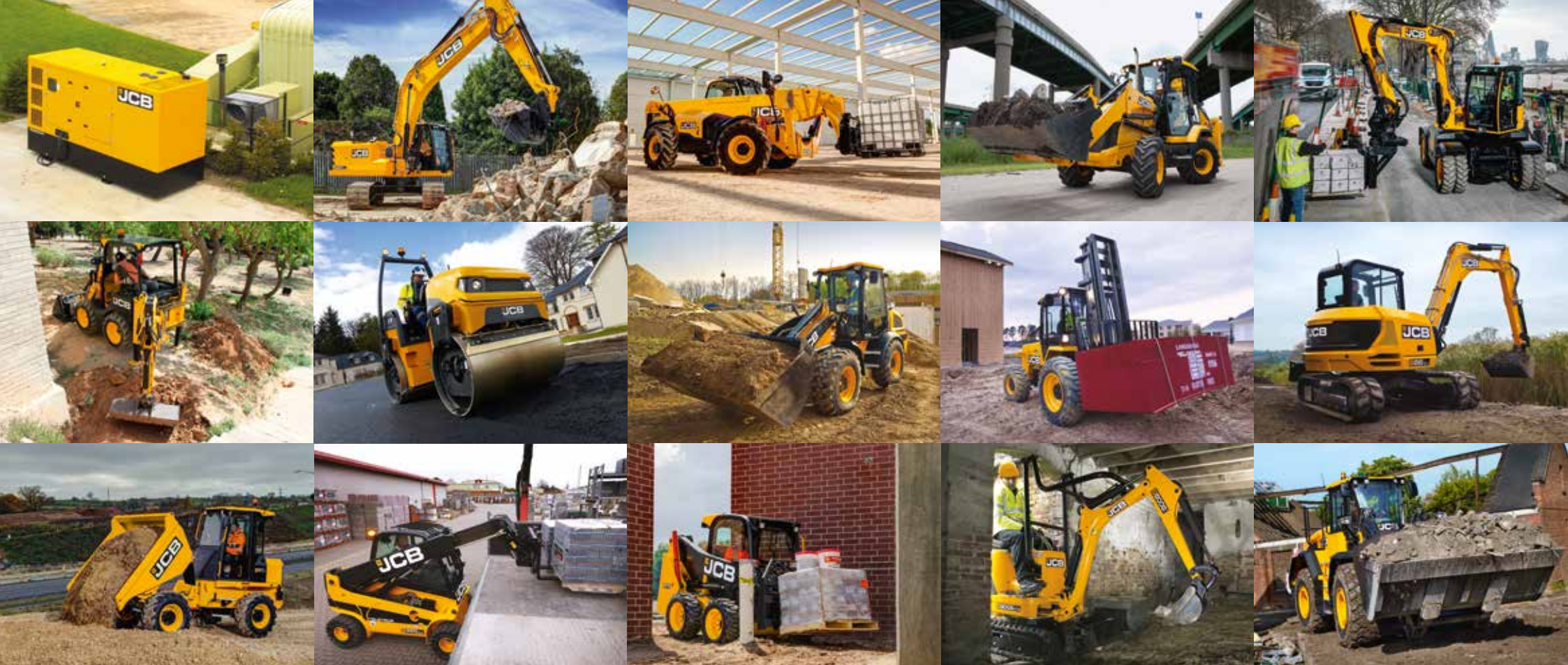
NOISE AND VIBRATION		Level	Uncertainty	Measurement conditions
A weighted emission sound pressure level at operator's position (LpA)	dB(A)	69	+/-1	Determined in accordance with the test method and calculations defined in EN 12053:2001
Exterior sound (Stationary)	dB(A)	73	+/-1	Determined in accordance with the test method defined in 2015/96 (Annex III)
Exterior sound (Moving)	dB(A)	84	+/-1	Determined in accordance with the test method defined in 2015/96 (Annex III)
Whole body vibration	m/s ²	1.03	50%	Determined in accordance with the test method defined in EN 13059 (Machine operating duty: Loader work (stone))
Hand arm vibration	m/s ²	<2.5	N/A	Determined in accordance with the test method defined in ISO 5349-2: 2001

ELECTRICAL SYSTEM		525-60	532-70, 536-95, 542-70, 560-80
System voltage	Volt	12	12
Alternator	Amp/hour	100	150
Battery capacity	Amp/hour	120	180

STANDARD/OPTIONAL EQUIPMENT	525-60 Industry Plus	Industry Plus	Industry Pro	Wastemaster
Seat mounted joystick	-	•	•	•
Cab mounted joystick	•	-	-	-
Wheel nut indicators	•	•	•	•
Haolgen work lights	•	•	-	-
LED work lights	-	•	•	•
1x front aux	•	•	•	•
Reverse fan	•	•	•	•
Chevrons	•	•	•	•
Constant aux	•	•	•	•
Road lights	•	•	•	+
Pneumatics tyres	•	•	•	+
Semi solid tyres	-	-	-	+
Central greasing	+	+	•	•
Boom suspension	+	+	•	•
Belly plates	•	+	•	•
Fuel tank protection	-	+	•	•
Boom ingress protection	-	+	•	•
Air suspension seat	•	+	•	•
Air conditioning	+	+	•	•
Left arm rest	-	+	•	•
Radio	+	+	•	•
Road light guards	-	+	+	•
Screen guards	+	+	+	•
Carbon filter	-	+	+	•
Green beacon seat belt	-	+	+	•
White noise alarm	+	+	+	+
Steel lower cab door	-	+	+	•
Heated seat	+	-	+	+
2x front aux	+	+	+	+
Hydraulic pin locking	+	+	+	+
Key pad immobiliser	+	+	+	+
Clean air kit	-	+	+	+
Radio bluetooth	-	+	+	+
Auto temp control AC	-	+	+	+
20kph (3 speed)	+	+	-	-
Bio oil	-	+	-	-
Rotating beacon	•	+	+	+
LED road lights	-	+	+	+
Mobile phone holder	-	+	+	+
Fire extinguisher	+	+	+	+

STANDARD • OPTIONAL + NOT APPLICABLE -





ONE COMPANY, OVER 300 MACHINES.

Your nearest JCB dealer

INDUSTRY & WASTEMASTER LOADALL | 525-60/532-70/536-95/542-70/560-80
 Gross Power: 55kW (74hp) - 112kW (150hp) | Lift Capacity: 2,500kg - 6,000kg | Lift Height: 6.0m - 7.9m

JCB Sales Limited, Rokecster, Staffordshire, United Kingdom ST14 5JP.
 Tel: +44 (0)1889 590312 | Email: salesinfo@jcb.com
 Download the very latest information on this product range at: www.jcb.com

©2022 JCB Sales. All rights reserved. No part of this publication may be reproduced, stored in a retrieval system, or transmitted in any form or by any other means, electronic, mechanical, photocopying or otherwise, without prior permission from JCB Sales. All references in this publication to operating weights, sizes, capacities and other performance measurements are provided for guidance only and may vary dependant upon the exact specification of machine. They should not therefore be relied upon in relation to suitability for a particular application. Guidance and advice should always be sought from your JCB Dealer. JCB reserves the right to change specifications without notice. Illustrations and specifications shown may include optional equipment and accessories. All images are correct at time of print. The JCB logo is a registered trademark of J C Bamford Excavators Ltd.

